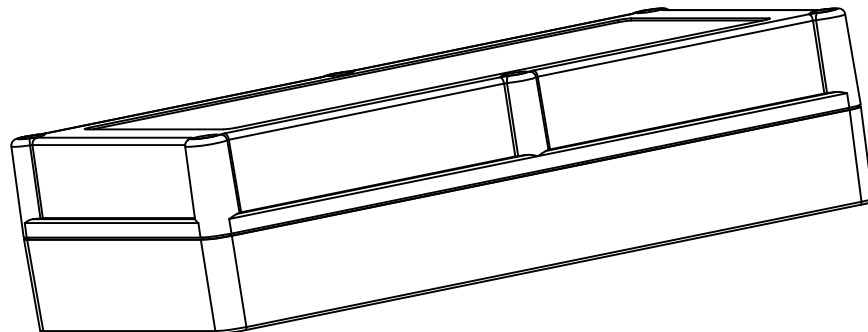
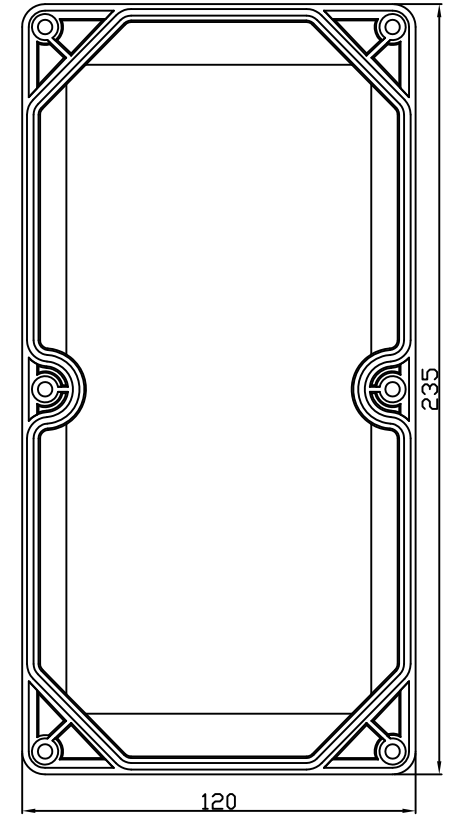
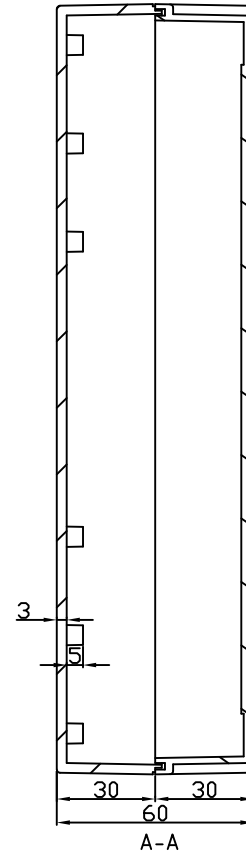
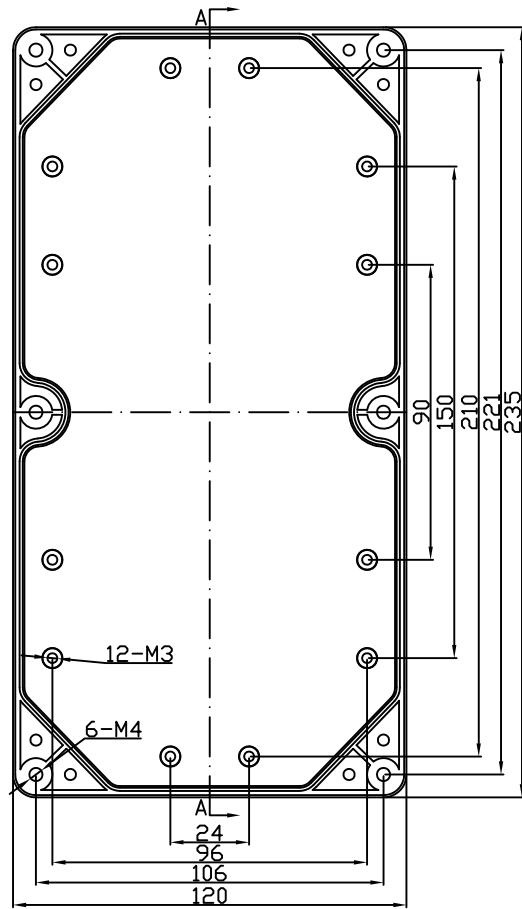


REVISION RECORD				
REV	ECD	DESCRIPTION	DRFT	CHKD



DETACHED LISTS		MM (INCH)	DRAWN	NAME	DATE	EVEREST	
TOLERANCES EXCEPT AS NOTED				Aaron	01/08/2015	WWW.EVERESTCASE.COM	
MM			CHECKED			TITLE	
.0 ± 0.3	±		ENG APPR.			PW070	
.00 ± 0.2	±					DRAWING NO. PW070	
.000 ± 0.1	±					/PART NO. 00	
ANGLES ± 5°			MATERIAL : ABS			SIZE	REV
			QT'Y :			A4	
FIRST ANGLE PROJECTION			FINISH:			DO NOT SCALE DRAWING	
			SCALE : 1:1			SHEET 1	OF 1