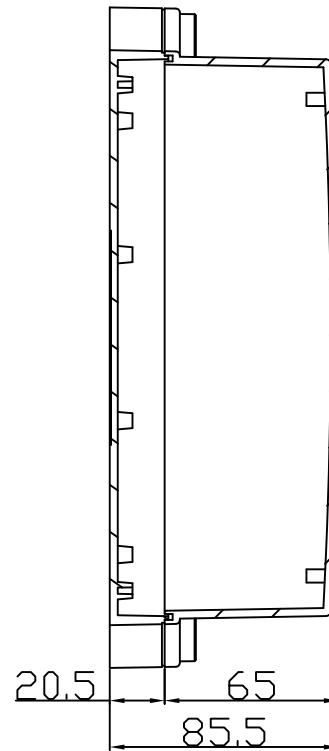
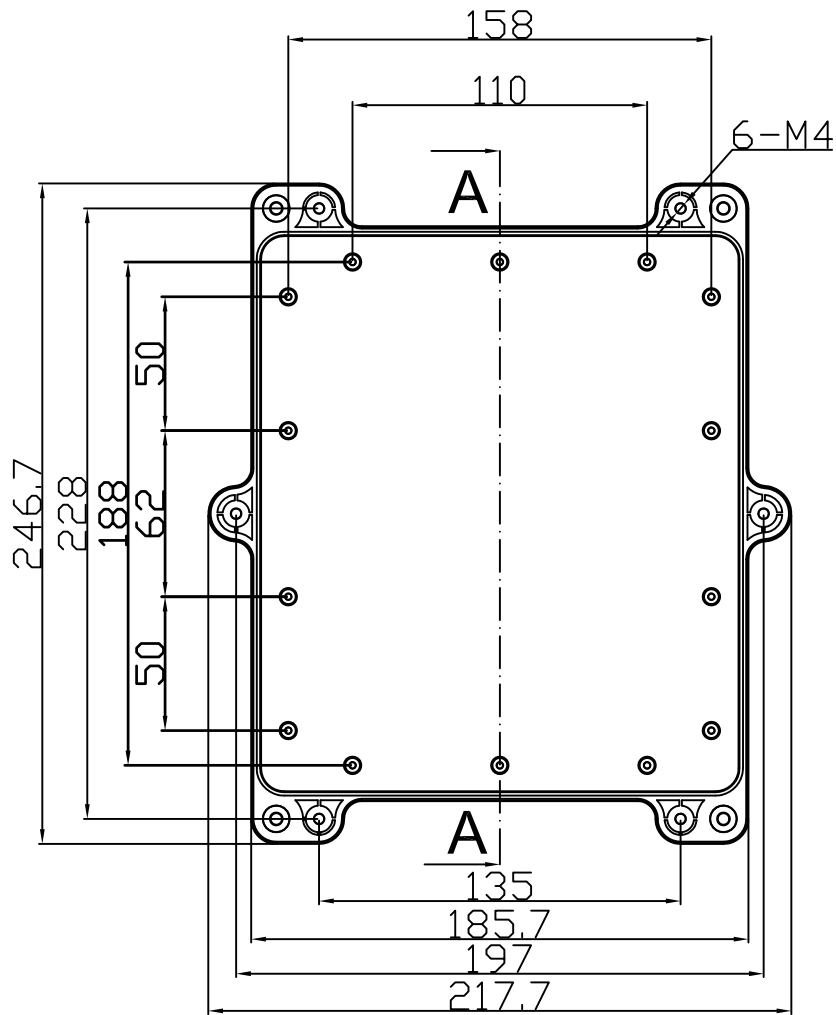
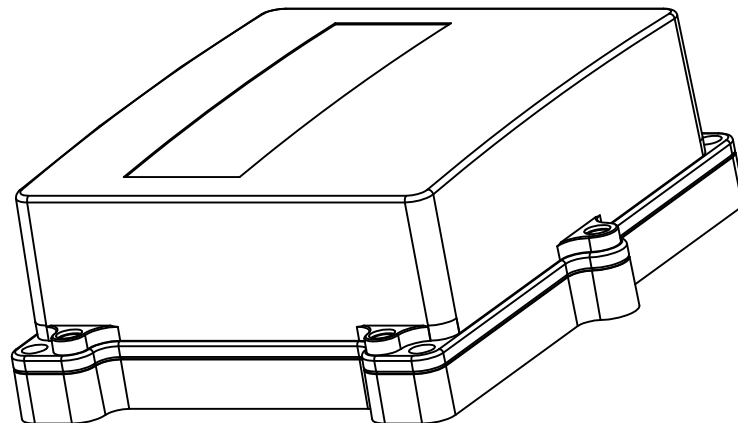
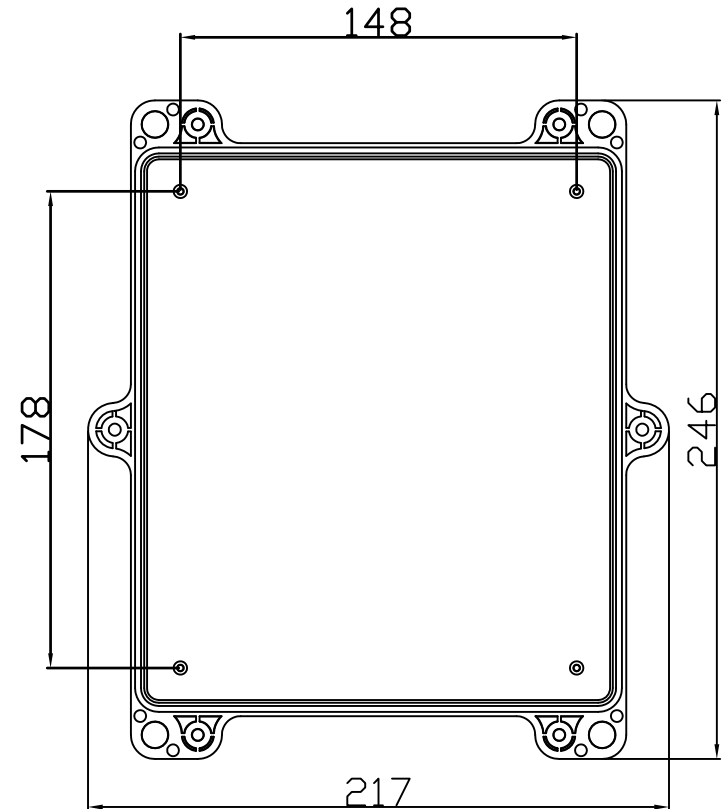


REVISION RECORD				
REV	ECD	DESCRIPTION	DRFT	CHKD



A-A



TOLERANCES EXCEPT AS NOTED		DRAWN	NAME	DATE	E:\new logo.jpg		EVEREST	
MM			Kelvin	02/10/2015			WWW.EVERESTCASE.COM	
.0 ± 0.3	±	CHECKED			TITLE		PW045	
.00 ± 0.2	±	ENG APPR.			DRAWING NO. PW045		SIZE	REV
.000 ± 0.1	±				/PART NO. 00		A4	
MATERIAL : ABS		QT'Y :		DO NOT SCALE DRAWING		SHEET 1		OF 1
ANGLES ± 5°		FINISH:		SCALE : 1:1				
FIRST ANGLE PROJECTION								