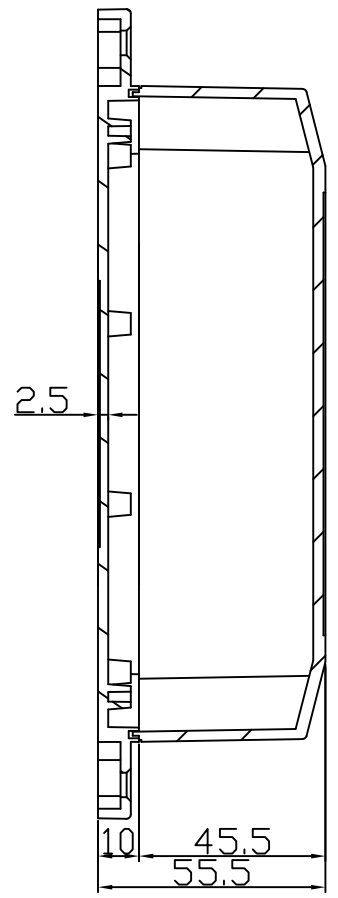
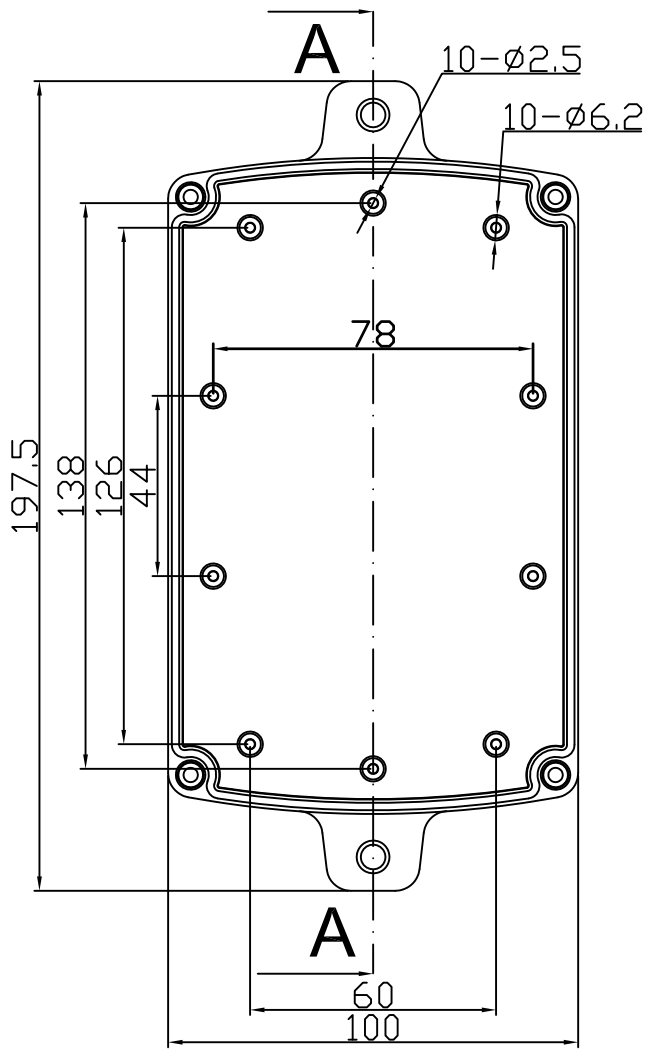
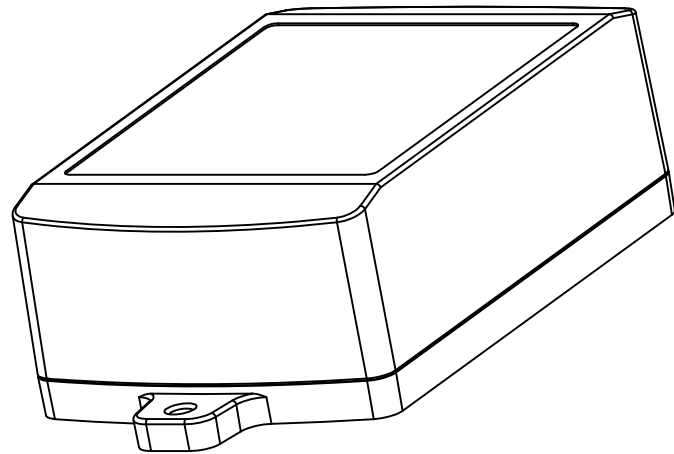
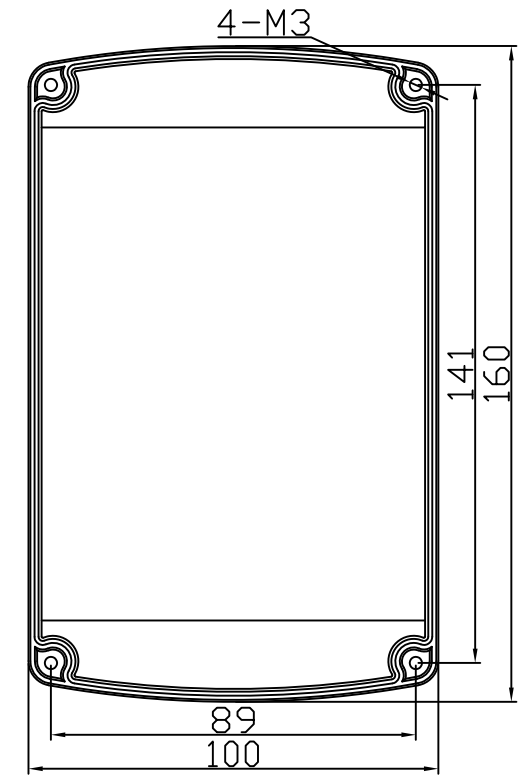


REVISION RECORD				
REV	ECD	DESCRIPTION	DRFT	CHKD



A-A



TOLERANCES EXCEPT AS NOTED		DRAWN	NAME	DATE	E:\new logo.jpg	EVEREST WWW.EVERESTCASE.COM
MM		CHECKED	Kelvin	03/04/2015		
.0 ± 0.3	±	ENG APPR.				TITLE
.00 ± 0.2	±					PW041
.000 ± 0.1	±					DRAWING NO. PW041
ANGLES ± 5°		MATERIAL : ABS		QT'Y :	/PART NO. 00	
FIRST ANGLE PROJECTION		FINISH:		SCALE : 1:1	DO NOT SCALE DRAWING	SIZE A4
					SHEET 1	REV OF 1