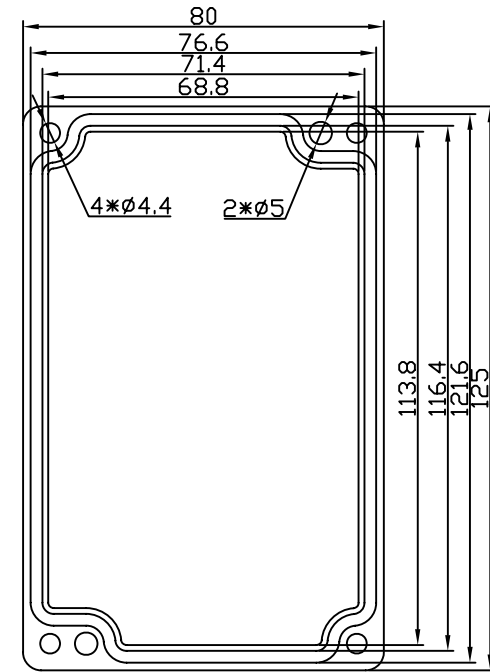
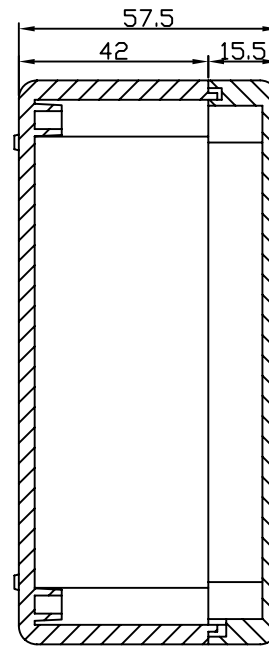
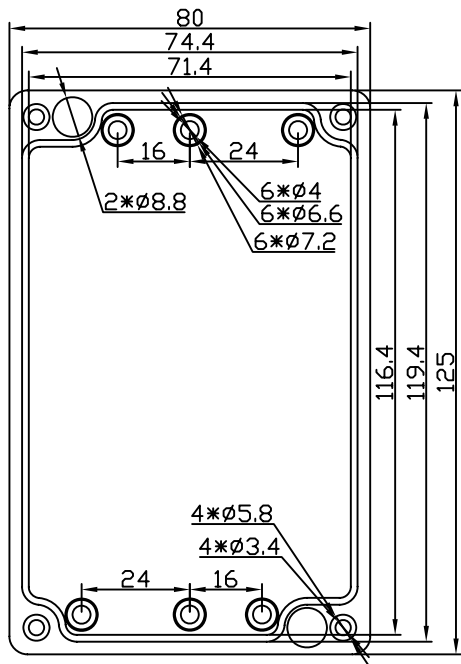




REVISION RECORD				
REV	ECD	DESCRIPTION	DRFT	CHKD



DETACHED LISTS	← MM (INCH) →		DFTD	DATE	 <b>埃弗勒斯</b> <b>EVEREST</b> WWW.EVERESTCASE.COM	
	TOLERANCES EXCEPT AS NOTED		CHKD	DATE		
	MM	±	MFD	DATE		
	.0 ± 0.3	±	APPVL	DATE		
	.00 ± 0.2	±	MATERIAL :	AL		
.000 ± 0.1	±	QT'Y :		TITLE	AW009	
ANGLES ± 5°		FINISH:	DRAWING NO. AW009		SIZE	REV
 FIRST ANGLE PROJECTION		SCALE : 1:1	/PART NO. 00		A4	
DO NOT SCALE DRAWING				SHEET 1		OF 1