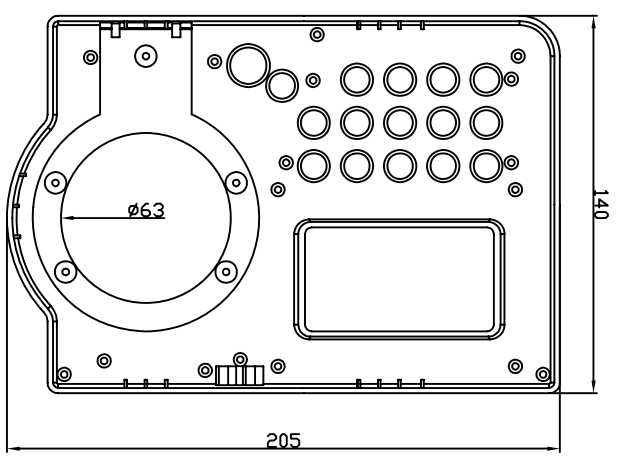
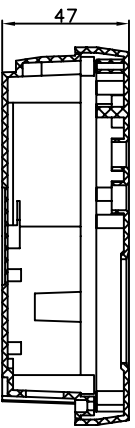
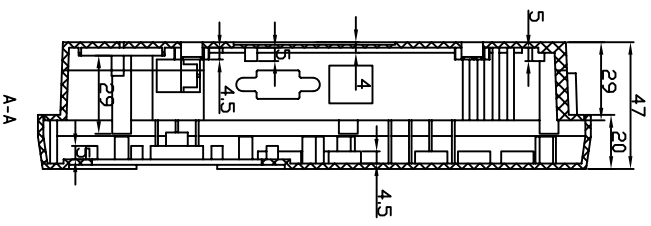
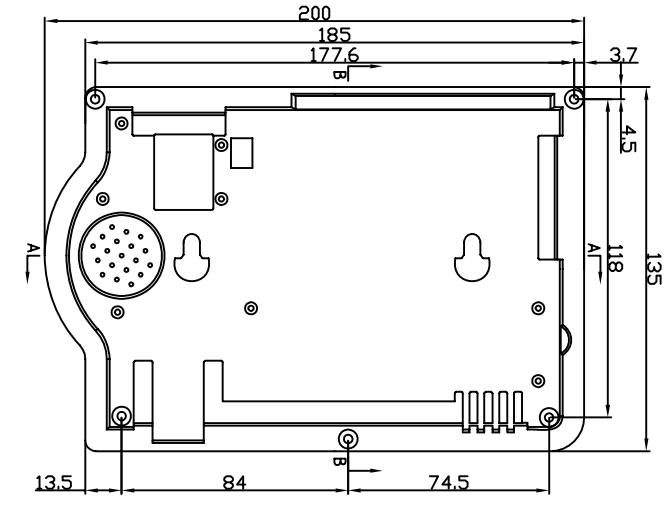


REVISION RECORD				
REV	ECD	DESCRIPTION	DRFT	CHKD



DETACHED LISTS			
 THIRD ANGLE PROJECTION	 DIM (INCH)	 DIM (MM)	 DIM (MM)
	TOLERANCES EXCEPT AS NOTED		
MM	0 ± 0.3	±	±
	.00 ± 0.02	±	±
	100 ± 0.1	±	±
ANGLES ± 5°			
MATERIAL: ABS		QT'Y: 1	
FINISH:		DRAWING NO. PH013	
SCALE: 1:1		/PART NO. 00	
DD NOT SCALE DRAWING		SHEET 1 OF 1	

埃弗勒斯

 EVEREST

PH013

www.everestcase.com

SIZE A4