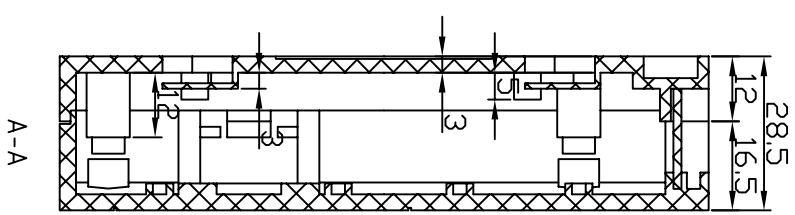
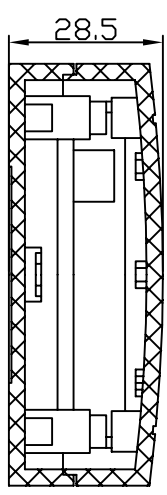
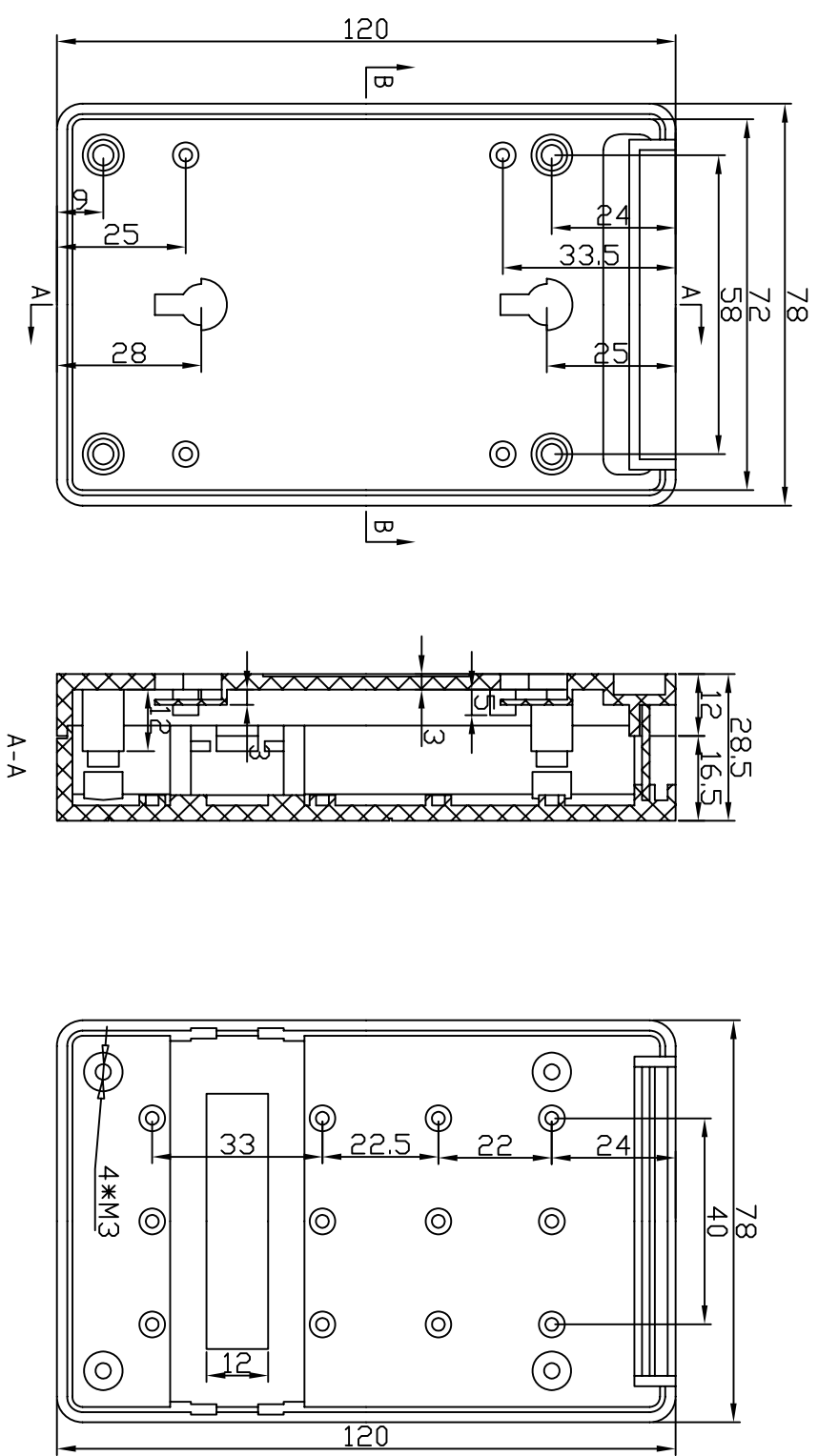


REVISION RECORD				
REV	ECD	DESCRIPTION	DRFT	CHKD



DETACHED LISTS									
<table border="1"> <tr> <th>MM</th> <th>(INCH)</th> </tr> <tr> <td>0.1 ± 0.03</td> <td>±</td> </tr> <tr> <td>0.05 ± 0.02</td> <td>±</td> </tr> <tr> <td>0.005 ± 0.01</td> <td>±</td> </tr> </table>	MM	(INCH)	0.1 ± 0.03	±	0.05 ± 0.02	±	0.005 ± 0.01	±	TOLERANCES EXCEPT AS NOTED ANGLES ± 5° THIRD ANGLE PROJECTION
MM	(INCH)								
0.1 ± 0.03	±								
0.05 ± 0.02	±								
0.005 ± 0.01	±								
MATERIAL: ABS QTY: 1 FINISH:	DRFTD: DATE CHKD: DATE MFD: DATE APPVL: DATE								
<b>埃弗勒斯 EVEREST</b> WWW.EVERESTCASE.COM									
TITLE: PH003 DRAWING NO. PH003 /PART NO. 00									
DID NOT SCALE DRAWING	SHEET 1 OF 1								