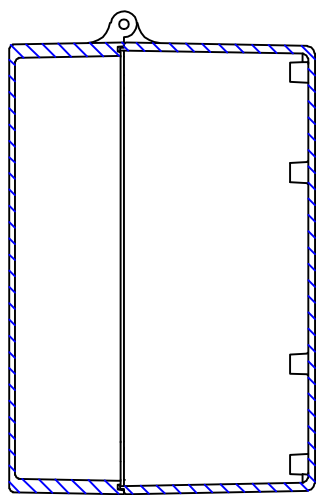
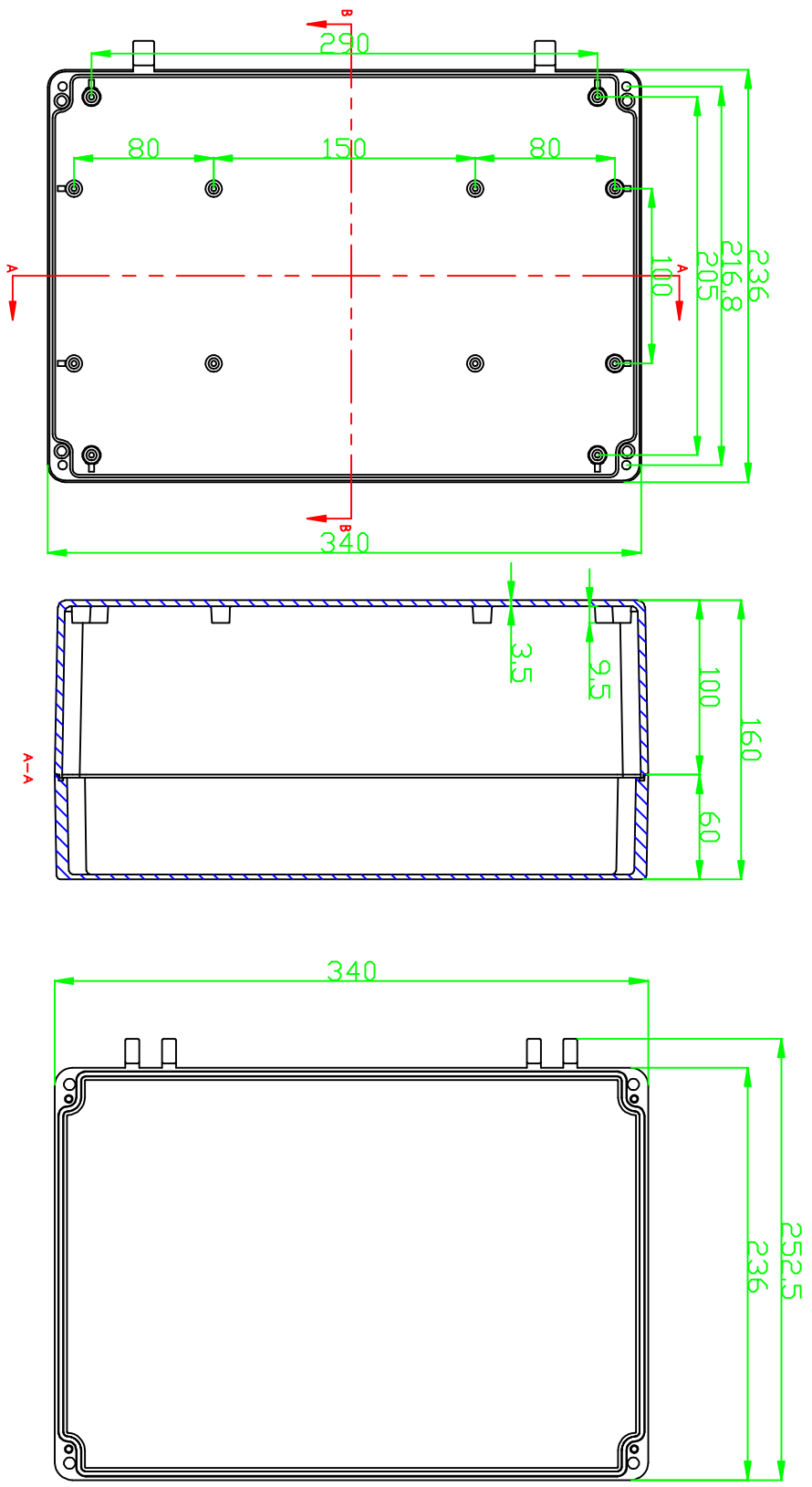


REVISION RECORD				
REV	ECD	DESCRIPTION	DRFT	CHKD



DETACHED LISTS		DRAWN		NAME		DATE	
MM	0.00 ± 0.03	NAME	Jonse	DATE	12/09/2014	TOLERANCES EXCEPT AS NOTED	
INCH	0.00 ± 0.01	CHECKED		ENG APPR		ANGLES ± 5°	
		MATERIAL	AL		FIRST ANGLE PROJECTION		
		FINISH			SCALE: 1:1		
DRAWING NO. AW084		TITLE		EVEREST WWW.EVERESTCASE.COM			
/PART NO. 00		DRAWING SIZE A4		SHEET 1 OF 1			