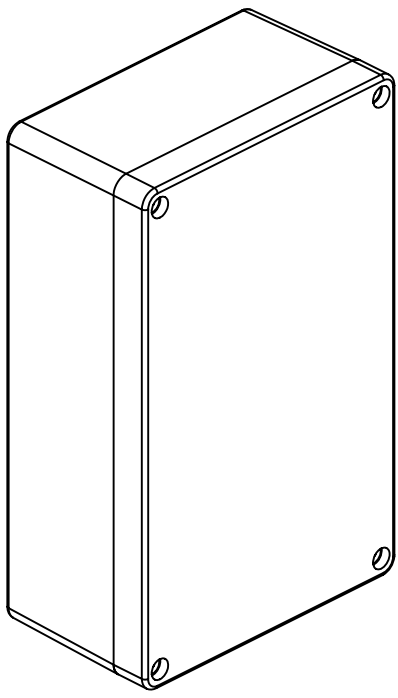
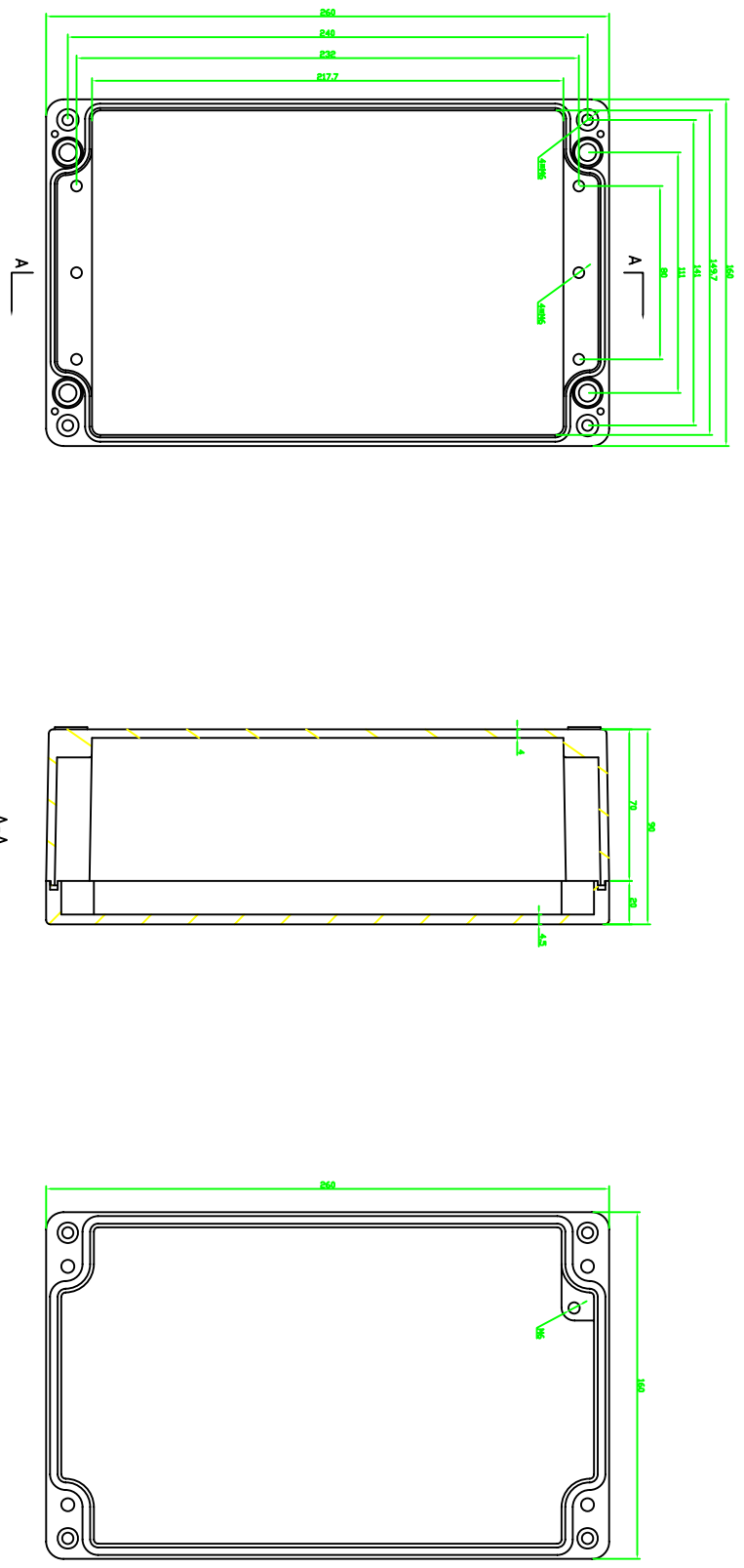


REVISION RECORD				
REV	ECD	DESCRIPTION	DRFT	CHKD



DETACHED LISTS			
 FIRST ANGLE PROJECTION	ANGLES ± 5° H/M ± 0.3 D ± 0.2 R ± 0.1	TOLERANCES EXCEPT AS NOTED H/M ± D ± R ±	DRFTD DATE CHKD DATE MFD DATE APPVL DATE
MATERIAL : AL QTY : 1	FINISH : SCALE : 1:1	TITLE AW057	DATE DATE DATE
DRAWING NO. AW057 /PART NO. 00	DD NOT SCALE DRAWING	埃弗斯特 EVEREST WWW.EVERESTCASE.COM	DATE DATE DATE
SIZE A4 REV	SHEET 1 OF 1	AW057	DATE DATE DATE