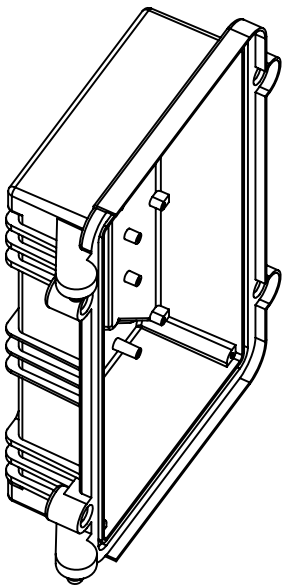
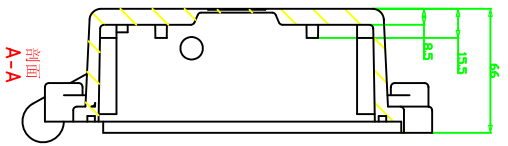
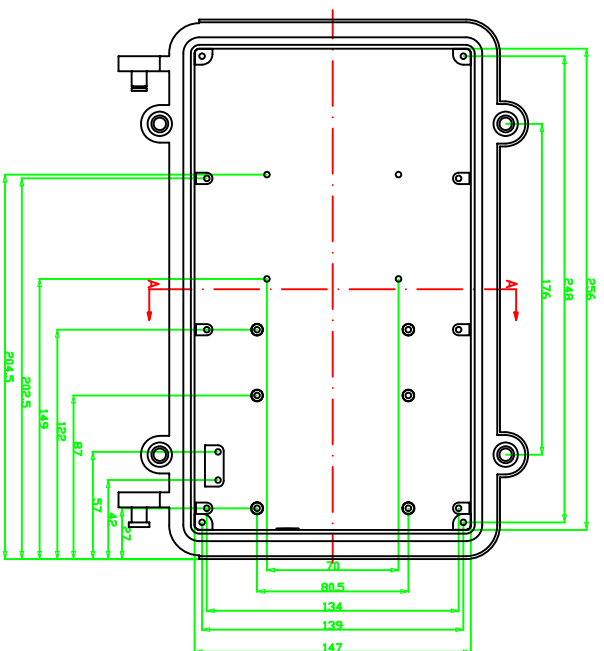
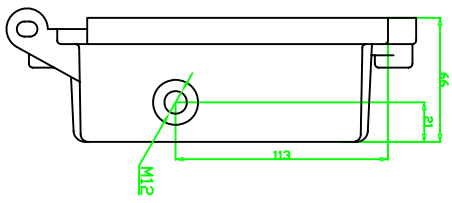


REVISION RECORD				
REV	ECD	DESCRIPTION	DRFT	CHKD



DETACHED LISTS		DATE	DATE
 FIRST ANGLE PROJECTION	TOLERANCES EXCEPT AS NOTED MM .1 ± 0.3 .00 ± 0.02 .000 ± 0.1	DRFTD CHKD MFD APPVL	DATE DATE DATE DATE
ANGLES ± 5°	MATERIAL : AL	QTY : 1	FINISH :
SCALE : 1:1	TITLE <b>APP007B</b>	DRAWING NO. APP007-S	SIZE A4
DD NOT SCALE DRAWING	SHEET X OF Y	EVEREST WWW.EVERESTCASE.COM	REV

