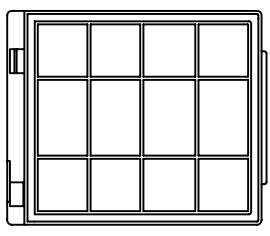
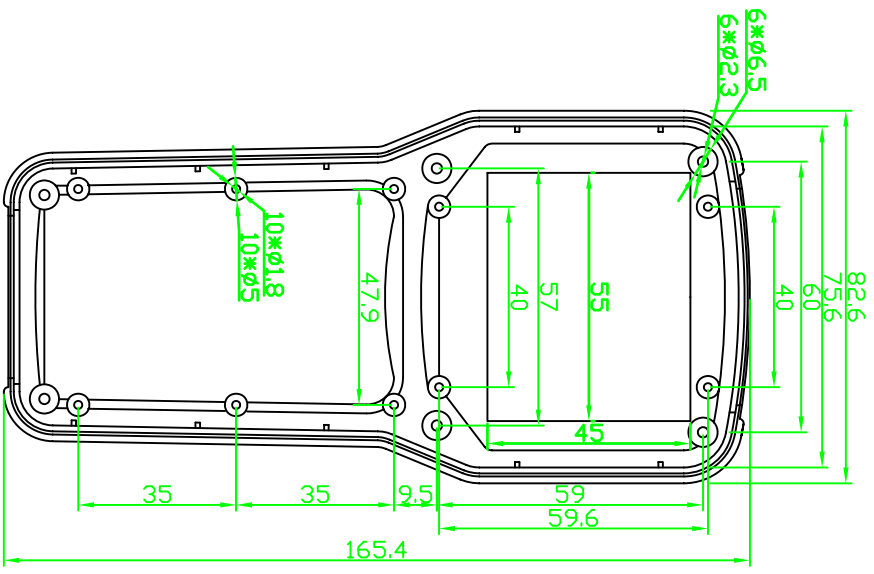
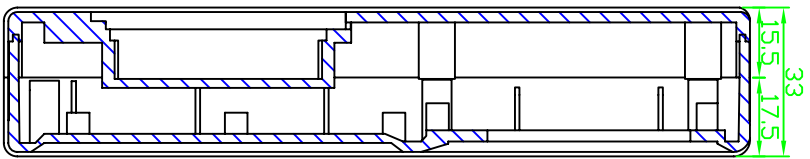
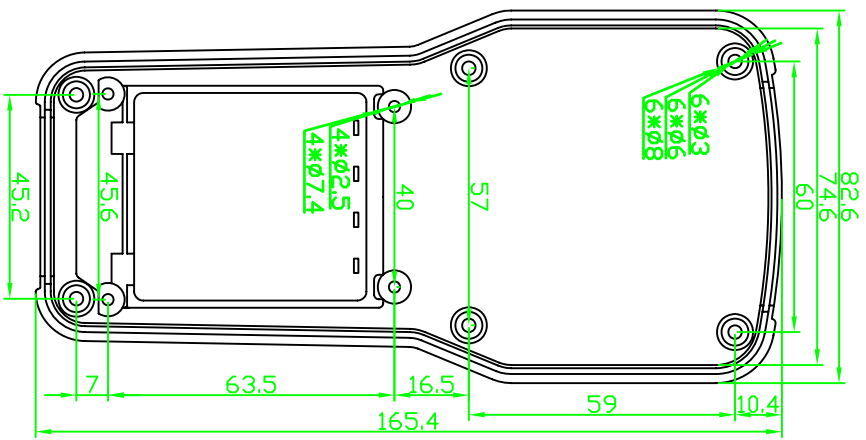


REVISION RECORD			
REV	ECD	DESCRIPTION	DRFT



电池盖

DETACHED LISTS		TOLERANCES EXCEPT AS NOTED		ANGLES ± 5°		FIRST ANGLE PROJECTION	
MM	± 0.3	MM	± 0.1	MM	± 0.2	MM	± 0.1
INCH	± 0.01	INCH	± 0.005	INCH	± 0.005	INCH	± 0.005
DRFT	DATE	DRFT	DATE	DRFT	DATE	DRFT	DATE
CHKD	DATE	CHKD	DATE	CHKD	DATE	CHKD	DATE
MFD	DATE	MFD	DATE	MFD	DATE	MFD	DATE
APPLY	DATE	APPLY	DATE	APPLY	DATE	APPLY	DATE
MATERIAL: ABS		MATERIAL: ABS		MATERIAL: ABS		MATERIAL: ABS	
TITLE		TITLE		TITLE		TITLE	
DRAWING NO. PH030		DRAWING NO. PH030		DRAWING NO. PH030		DRAWING NO. PH030	
/PART NO. 00		/PART NO. 00		/PART NO. 00		/PART NO. 00	
DD NOT SCALE DRAWING		DD NOT SCALE DRAWING		DD NOT SCALE DRAWING		DD NOT SCALE DRAWING	
SHEET 1		SHEET 1		SHEET 1		SHEET 1	
OF 1		OF 1		OF 1		OF 1	

埃弗斯特  
EVEREST  
WWW.EVERESTCASE.COM

PH030

SIZE  
A4

REV